

MODEL  
DS18DE

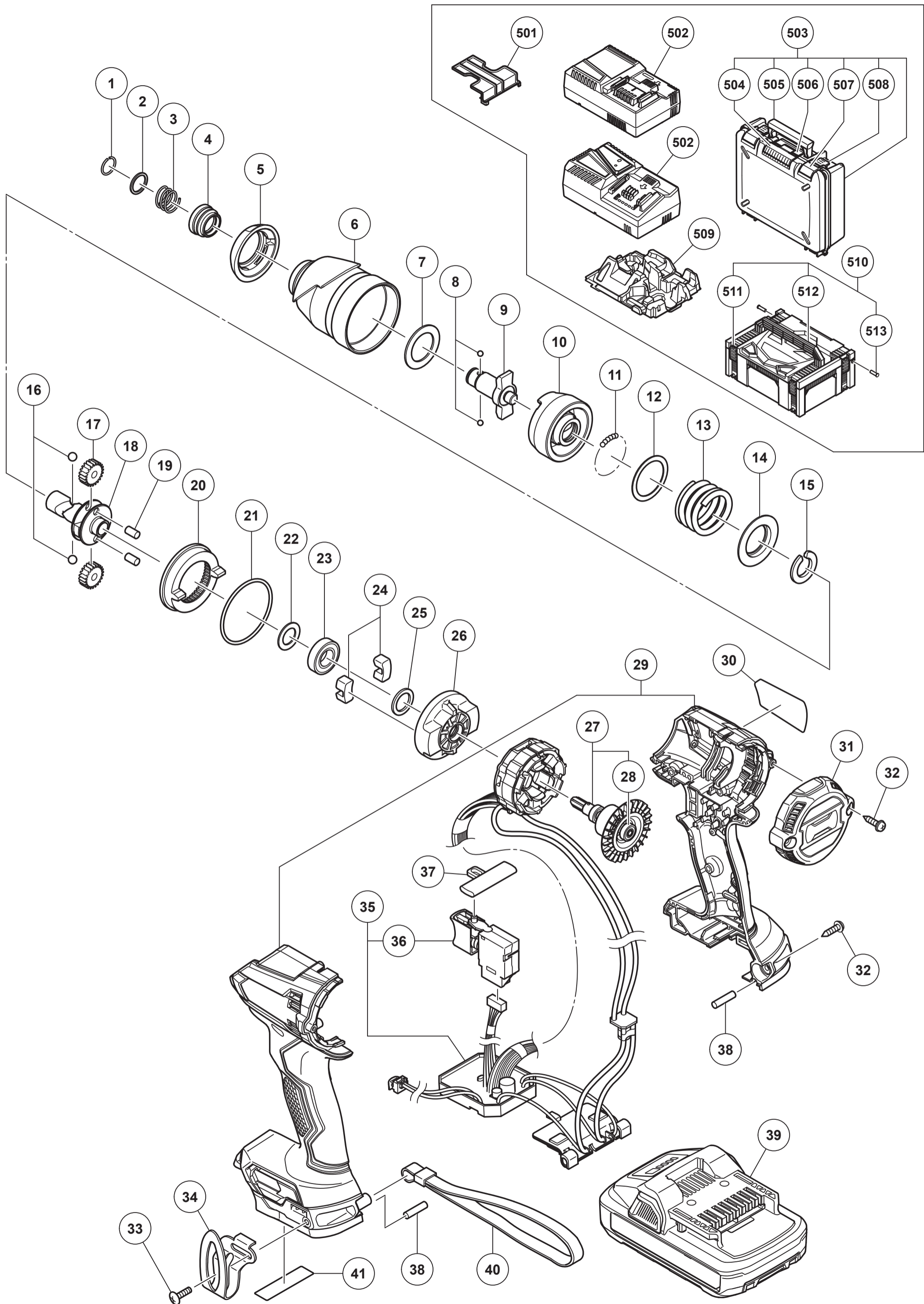
# HIKOKI

## CORDLESS DRIVER DRILL DS18DE

Item No.	Code No.	Description	No. Used	Remarks
1	379124	HEXALOBULA SCREW (LEFT HAND) M6	1	
2	335961	DRILL CHUCK 13VLRU-N (W/O CHUCK WRENCH)	1	
3	379111	GEAR BOX ASS'Y	1	INCLUD. 4-28
4	379123	CLUTCH DIAL (S)	1	
5	327146	CLICK SPRING	1	
6	379114	NUT	1	
7	370607	SPRING	1	
8	370603	THRUST PLATE	1	
9	379113	SPINDLE	1	
10	370608	SHIFT ARM	1	
11	379112	GEAR CASE	1	
12	379268	NEEDLE ROLLER (A) SET D2.2 (2 PCS.)	2	
13	328717	WASHER (B)	1	
14	370609	LOCK RING	1	
15	319744	ROLLER	4	
16	306936	STEEL BALL D5	6	
17	379116	RING GEAR	1	
18	379115	CARRIER	1	
19	379267	PLANET GEAR (C) SET (5 PCS.)	5	
20	379117	SHIFT DOG	1	
21	379119	SLIDE RING GEAR	1	
22	379118	PINION (C)	1	
23	379269	PLANET GEAR (B) SET (4 PCS.)	4	
24	379120	PINION (B)	1	
25	370614	PLANET GEAR (A) SET (4 PCS.)	4	
26	370604	FIRST RING GEAR	1	
27	379121	WASHER (B)	1	
28	379122	MOTOR SPACER	1	
29	341137	STATOR CONTROLLER ASS'Y	1	INCLUD. 39, 40
30	361190	ROTOR PINION ASS'Y	1	INCLUD. 31
31	379110	MOTOR PINION	1	
32	379104	SHIFT KNOB	1	
33		NAME PLATE	1	
34	313687	TAPPING SCREW (W/FLANGE) D3X16 (BLACK)	11	
35	379108	TAIL COVER	1	
36	373041	REAR BUMPER	2	
37	339768	PUSHING BUTTON	1	
38	379106	HOUSING (A).(B) SET	1	
39	379109	DC-SPEED CONTROL SWITCH	1	
40	339769	BATTERY TERMINAL	1	
41	379397	HOOK ASS'Y	1	INCLUD. 42, 43
42	337357	TRUSS HD. SCREW M4 (BLACK)	1	
43	372229	HOOK	1	
44	306952	STRAP (BLACK)	1	
*45	378679	BATTERY BSL 1840M (EUROPE,AUS,NZL)	2	INCLUD. 502
*45	378678	BATTERY BSL 1840M (CHN)	2	INCLUD. 502
*45	378683	BATTERY BSL 1850MA (EUROPE,AUS,NZL)	2	INCLUD. 502
*45		BATTERY BSL 1850MA (TPE)	2	INCLUD. 502
*45	371750	BATTERY BSL 36A18 (EUROPE,AUS,NZL)	2	INCLUD. 502
		STANDARD ACCESSORIES		
*501		CHARGER (MODEL UC 18YFSL)	1	
*501		CHARGER (MODEL UC 18YSL3)	1	

\* ALTERNATIVE PARTS





# HIKOKI

## CORDLESS IMPACT DRIVER WH18DE

Item No.	Code No.	Description	No. Used	Remarks
1	330619	RETAINING RING	1	
2	330856	WASHER (D)	1	
3	370581	GUIDE SPRING	1	
4	376528	GUIDE SLEEVE	1	
5	372204	FRONT CAP	1	
6	378650	HAMMER CASE	1	
7	370579	WASHER (F)	1	
8	319535	STEEL BALL D3.5 (10 PCS.)	2	
*9	378647	ANVIL (S)	1	
*9	378648	ANVIL (L)	1	FOR CHN, TPE, MAL, IND
10	378646	HAMMER	1	
11	959148	STEEL BALL D3.175 (10 PCS.)	28	
12	315978	WASHER (J)	1	
13	335316	HAMMER SPRING (J)	1	
14	316172	WASHER (S)	1	
15	328647	STOPPER (C)	1	
16	959154	STEEL BALL D5.556 (10 PCS.)	2	
17	326295	IDLE GEAR SET (2 PCS.)	2	
18	372208	SPINDLE	1	
19	319914	NEEDLE ROLLER	2	
20	333747	RING GEAR(E)	1	
21	983852	O-RING (S-42)	1	
22	370583	WASHER (E)	1	
23	323118	BALL BEARING 6901VV-N	1	
24	324230	DAMPER (A)	2	
25	376609	FELT (B)	1	
26	376536	INNER COVER	1	
27	378641	ROTOR PINION ASS'Y	1	INCLUD.28
28	335723	BALL BEARING 604DD	2	
29	378645	HOUSING (A).(B) SET	1	
30		NAME PLATE	1	
31	378617	TAIL COVER	1	
32	313687	TAPPING SCREW (W/FLANGE) D3X16 (BLACK)	10	
33	327001	TRUSS HD. SCREW M4 (BLACK)	1	
34	372229	HOOK	1	
35	378651	WIRING ASS'Y	1	INCLUD.36
36	378620	DC-SPEED CONTROL SWITCH	1	
37	378619	PUSHING BUTTON	1	
38	373041	REAR BUMPER	2	
*39	378678	BATTERY BSL 1840M (CHN)	2	INCLUD.501
*39	378683	BATTERY BSL 1850MA (EUROPE, AUS, NZL)	2	INCLUD.501
40	306952	STRAP (BLACK)	1	
*41		LABEL (UKCA)	1	
				FOR GBR
		STANDARD ACCESSORIES		
501	329897	BATTERY COVER	1	
*502		CHARGER (MODEL UC 18YSL3)	1	
*502		CHARGER (MODEL UC 18YFSL)	1	
*503	376513	CASE ASS'Y	1	INCLUD.504-508 FOR GBR, CHN
*504	339212	CENTER LATCH	1	FOR GBR, CHN
*505	339211	HANDLE (A)	1	FOR GBR, CHN
*506	339213	CENTER KNOB	1	FOR GBR, CHN
*507	339215	SIDE KNOB	2	FOR GBR, CHN

\* ALTERNATIVE PARTS



# CORDLESS IMPACT DRIVER WH18DE

Item No.	Code No.	Description	No. Used	Remarks
*508	339214	SIDE LATCH	2	FOR GBR, CHN
*509	339776	INNER TRAY	1	FOR EUROPE, TPE
*510	336471	CASE ASS'Y (STACKABLE 2)	1	INCLUD. 511-513 FOR EUROPE, TPE
*511	336472	LATCH	4	FOR EUROPE, TPE
*512	336473	HANDLE	1	FOR EUROPE, TPE
*513	336474	HINGE	2	FOR EUROPE, TPE
		OPTIONAL ACCESSORIES		
*601	321823	DRILL CHUCK AND ADAPTER SET	1	INCLUD. 602, 603 FOR EUROPE, GBR, AUS, NZL
*602	307543	CHUCK ADAPTER	1	FOR EUROPE, GBR, AUS, NZL
*603	987575	CHUCK WRENCH FOR 10VLB-D, 10VLR-D	1	FOR EUROPE, GBR, AUS, NZL
604	309922	GREASE (ATTOLUB MS NO.2) 500G	1	
605	325149	GREASE (MOLUB-ALLOY NO.777-1) 75G	1	
606	930035	GREASE (SEP-3A) (100G)	1	
607	930038	GREASE (SEP-3A) (2.5KG)	1	
608	306927	SILICONE RUBBER	1	

\* ALTERNATIVE PARTS